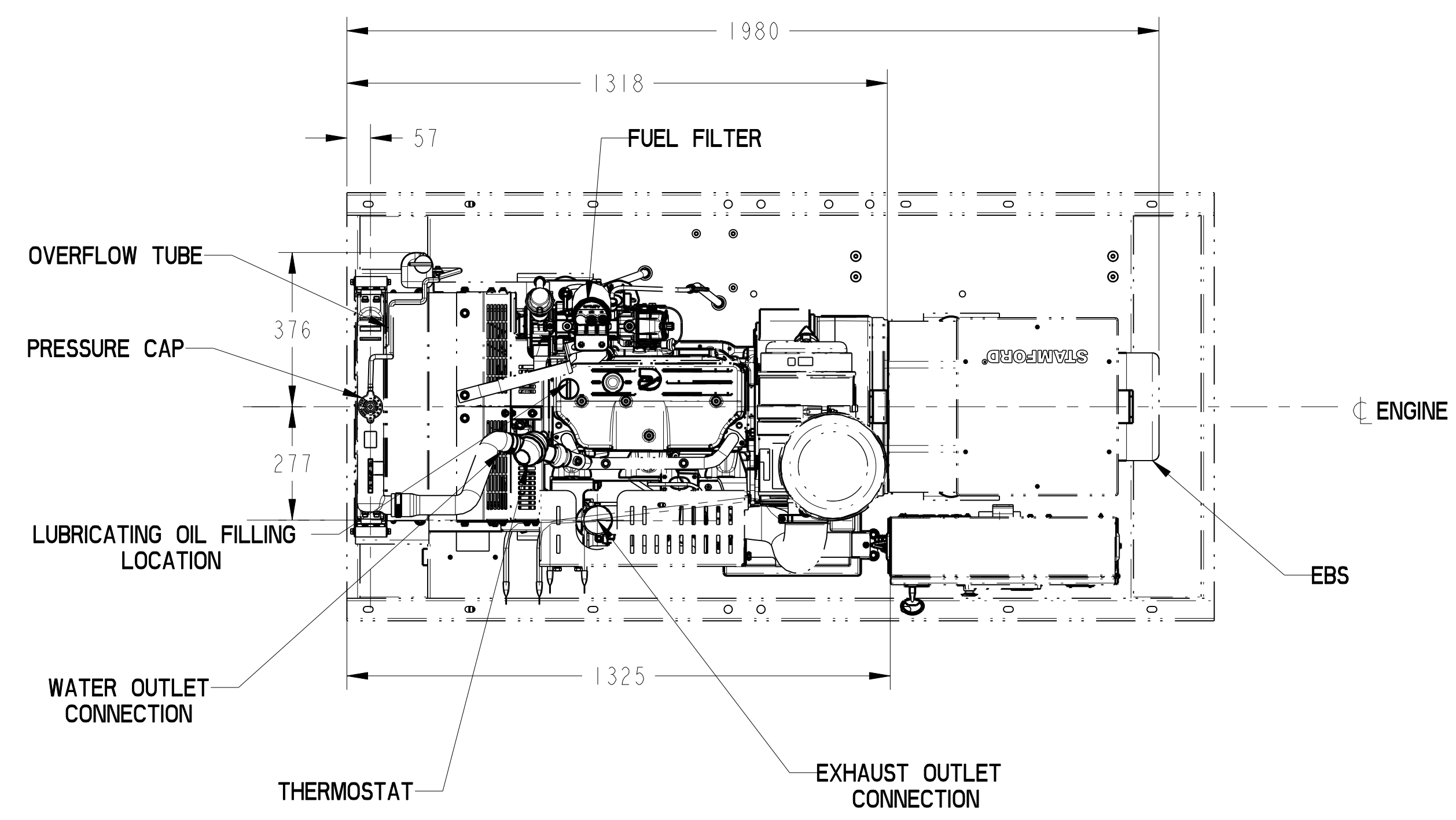


DRAFT

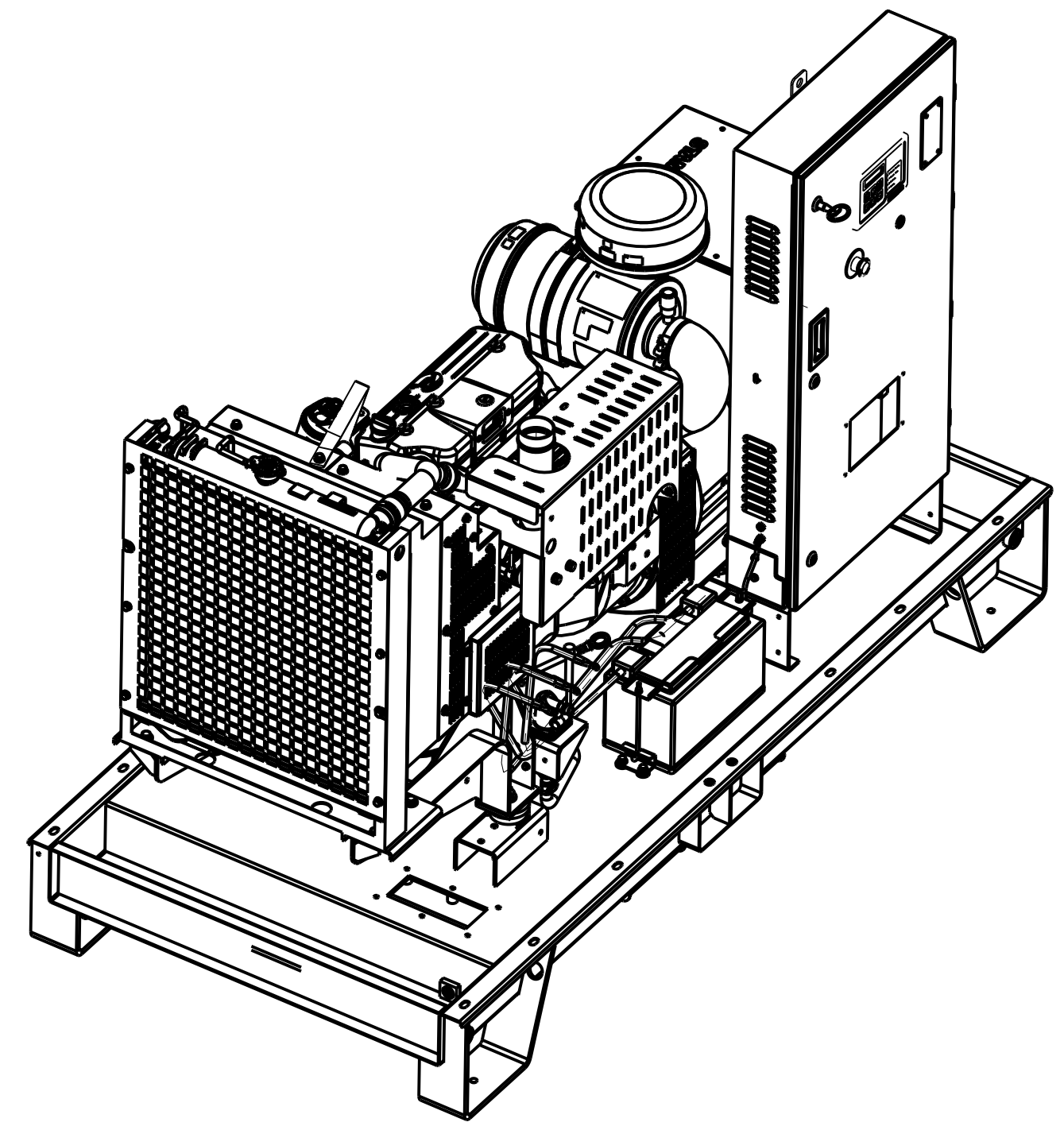
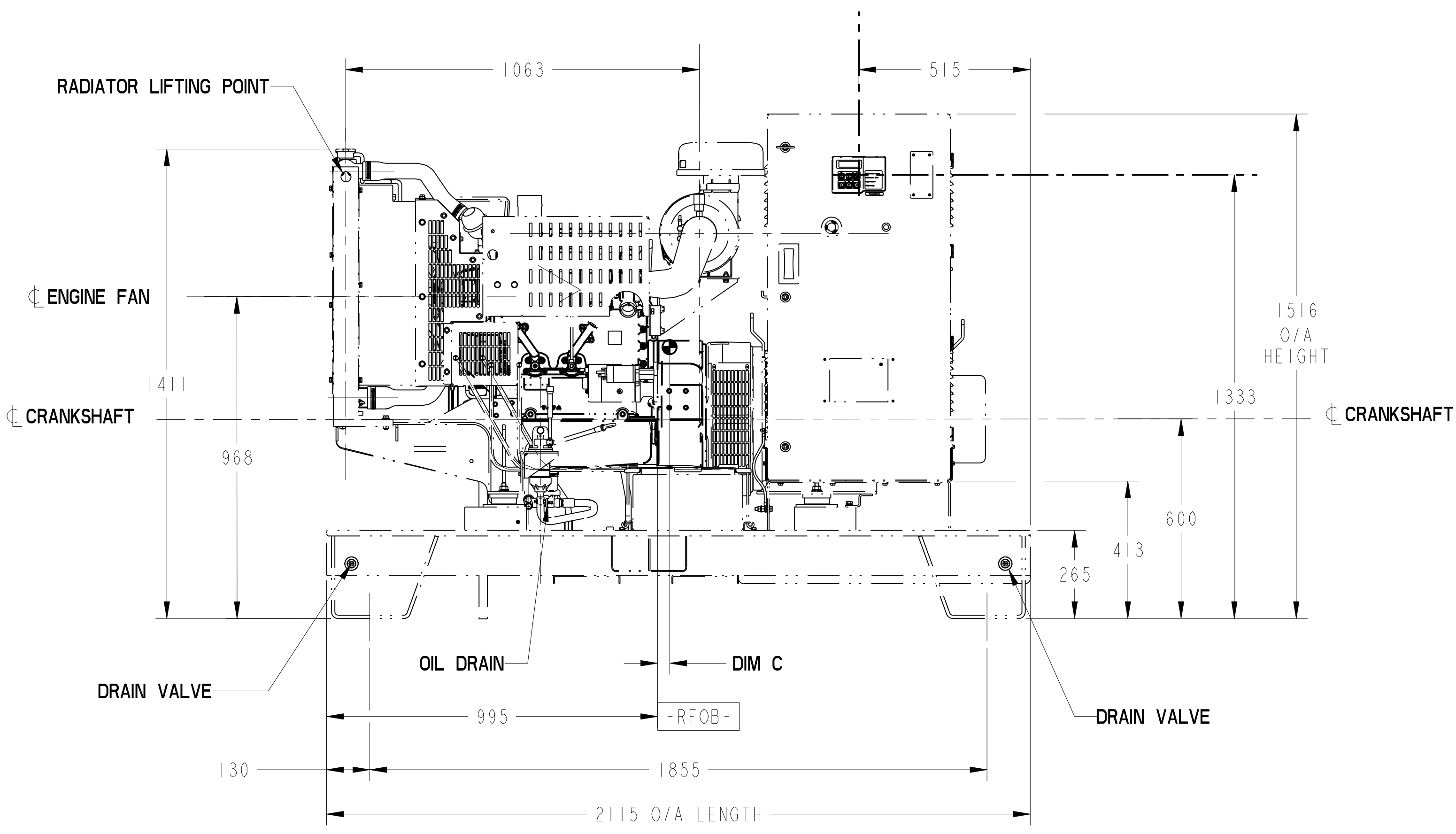
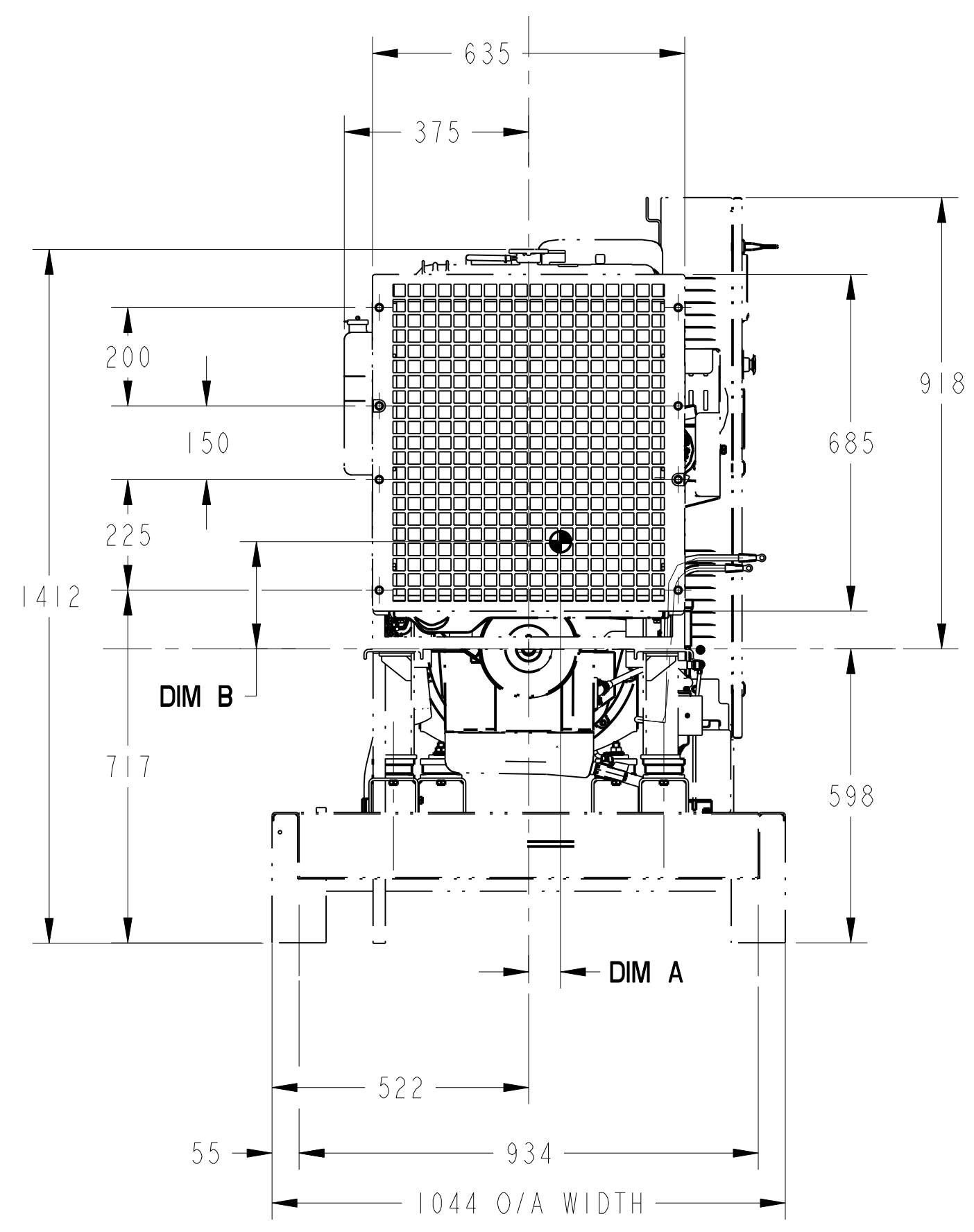
REL NO	LTR	NO	REVISION	DWN	CKD	APVD	DATE
ECO-XXXXX	A	1	PRODUCTION RELEASE	SP	KB	A_MEHTA	10AUG11

- NOTES:
- VIEWS SHOW STANDARD BASE SKID.
 - FUEL TANK CAPACITY 155 Ltrs. APPROXIMATE.
 - CUSTOMER LOAD CABLES TO BE FLEXIBLE TO ALLOW MOVEMENTS OF GENSET ON ANTI-VIBRATION MOUNTS.



WEIGHT DATA					
S/N	GENSET NOMENCLATURE	OPEN GENSET DRY WEIGHT WITH SKID (Kg)		OPEN GENSET WET WEIGHT (Kg.)	
		WITH EBS	WITHOUT EBS	WITH EBS	WITHOUT EBS
1	S3.8 + UC 224 C	945.2	940.2	1107.2	1102.2
2	S3.8 + UC 224 D	958.2	953.2	1120.2	1115.2
3	S3.8 + UC 224 E	985.2	980.2	1147.2	1142.2
4	S3.8 + UC 224 F	1005.2	1000.2	1167.2	1162.2
5	S3.8 + UC 224 G	1055.2	1050.2	1217.2	1212.2

CG LOCATION		
DIM A	DIM B	DIM C
84.5	218	21



3D VIEW

UNLESS OTHERWISE SPECIFIED, ALL DIMENSIONS ARE IN MILLIMETERS		SHR 10	DWN S_PATIL		CUMMINS POWER GENERATION																				
DO NOT SCALE PRINT		CRD K_BANU	APVD A_MEHTA		OUTLINE, GENSET																				
<table border="1"> <tr> <th>DIM</th> <th>TOL</th> <th>HOLE</th> <th>TOL</th> </tr> <tr> <td>X ± 1</td> <td>0.00- 4.99</td> <td>+0.15/-0.08</td> <td></td> </tr> <tr> <td>.X ± 0.8</td> <td>5.00- 9.99</td> <td>+0.20/-0.10</td> <td></td> </tr> <tr> <td>.XX ± 0.38</td> <td>10.00-17.49</td> <td>+0.25/-0.13</td> <td></td> </tr> <tr> <td></td> <td>17.50-24.99</td> <td>+0.30/-0.13</td> <td></td> </tr> </table>		DIM	TOL	HOLE	TOL	X ± 1	0.00- 4.99	+0.15/-0.08		.X ± 0.8	5.00- 9.99	+0.20/-0.10		.XX ± 0.38	10.00-17.49	+0.25/-0.13			17.50-24.99	+0.30/-0.13		DATE 10AUG11	SITE CODE	SHEET 1 of 1	
DIM	TOL	HOLE	TOL																						
X ± 1	0.00- 4.99	+0.15/-0.08																							
.X ± 0.8	5.00- 9.99	+0.20/-0.10																							
.XX ± 0.38	10.00-17.49	+0.25/-0.13																							
	17.50-24.99	+0.30/-0.13																							
ANG TOL: ± 1.0°		SCALE: 3/32	FOR INTERPRETATION OF DIMENSIONS AND TOLERANCES, SEE ASME Y14.5M-1994	FIRST USED ON 63.8 INTL SPEC	CIL	<table border="1"> <tr> <td>REV</td> <td>DATE</td> <td>BY</td> <td>APP</td> </tr> <tr> <td>D</td> <td></td> <td></td> <td></td> </tr> </table>	REV	DATE	BY	APP	D														
REV	DATE	BY	APP																						
D																									