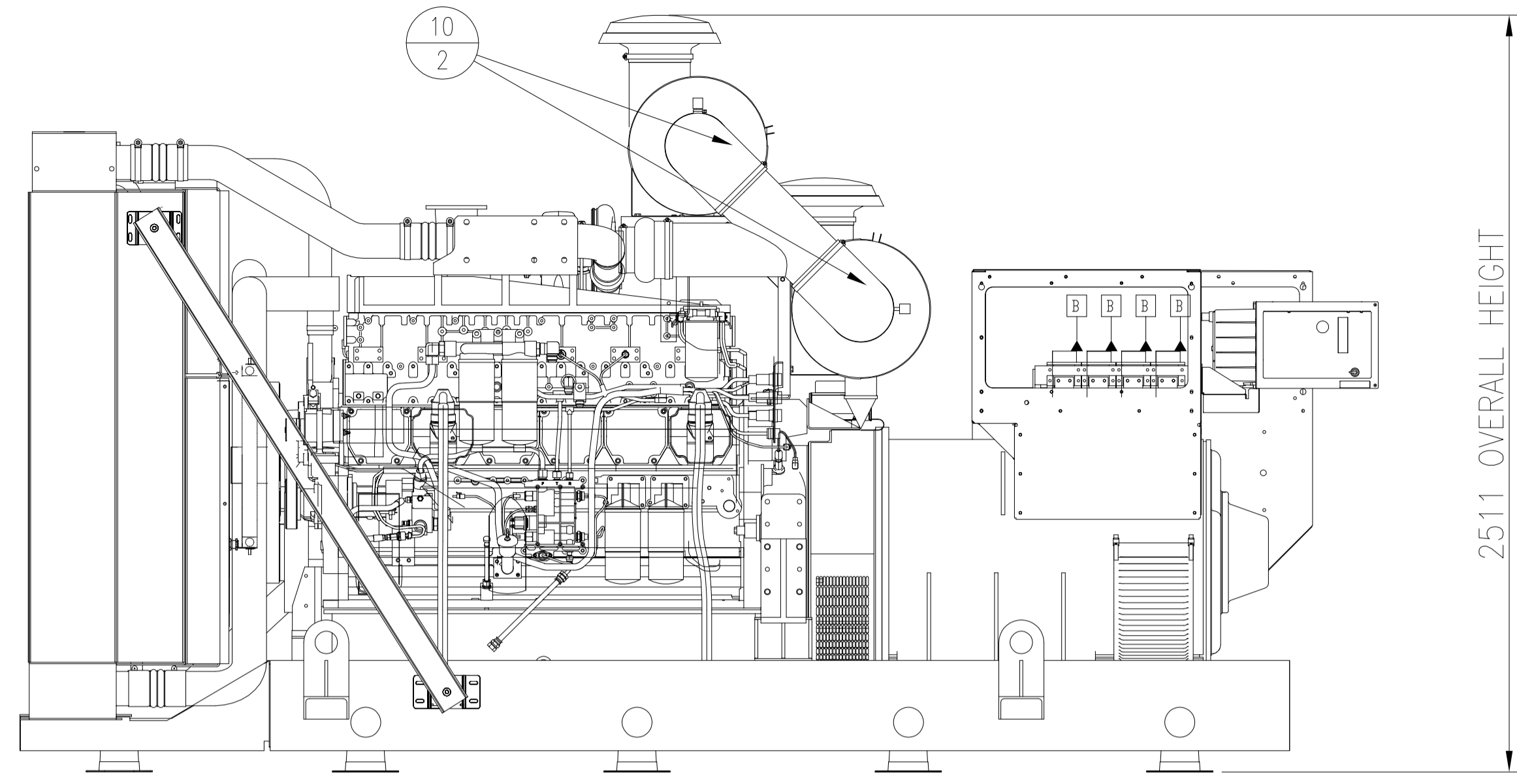
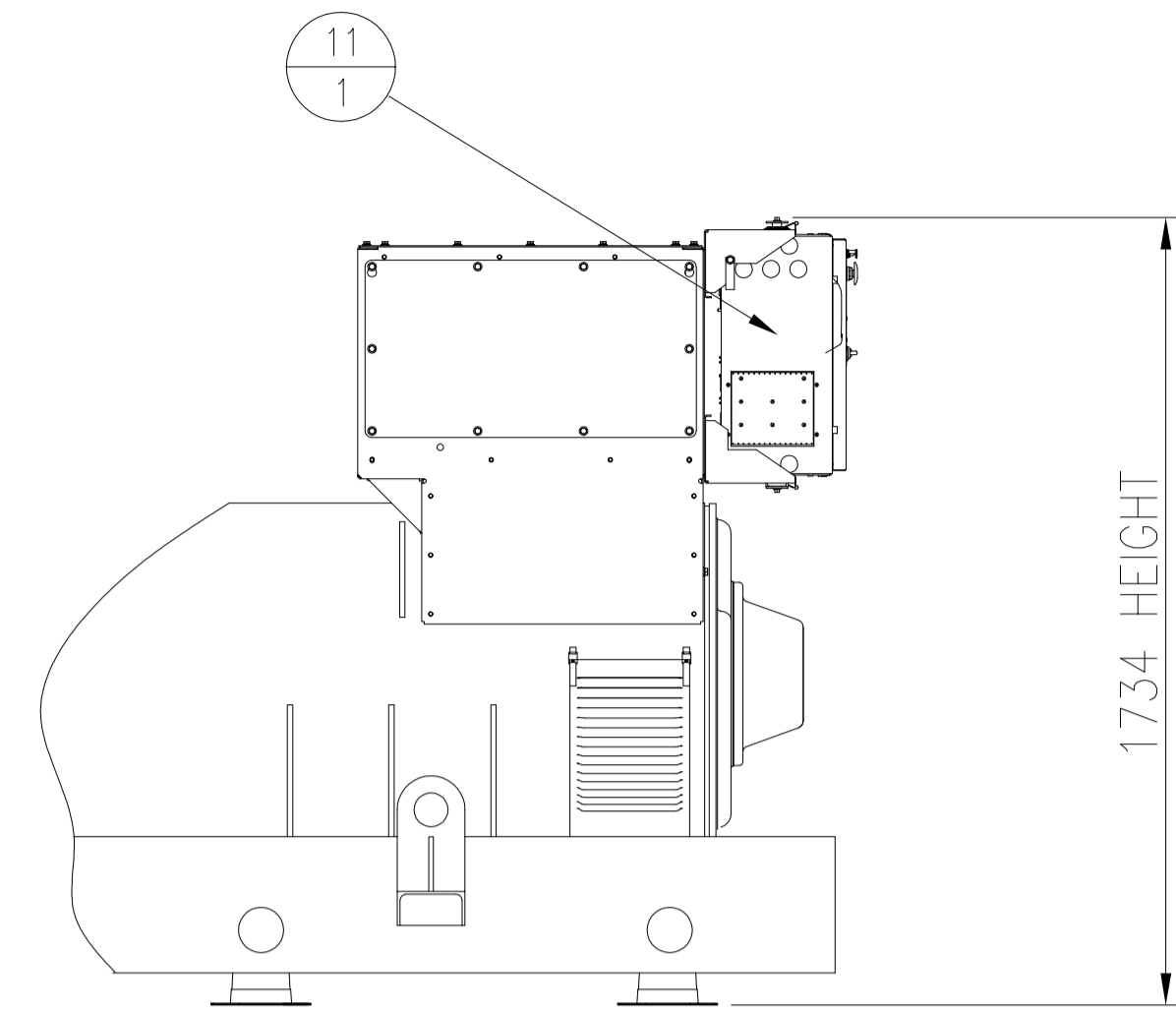


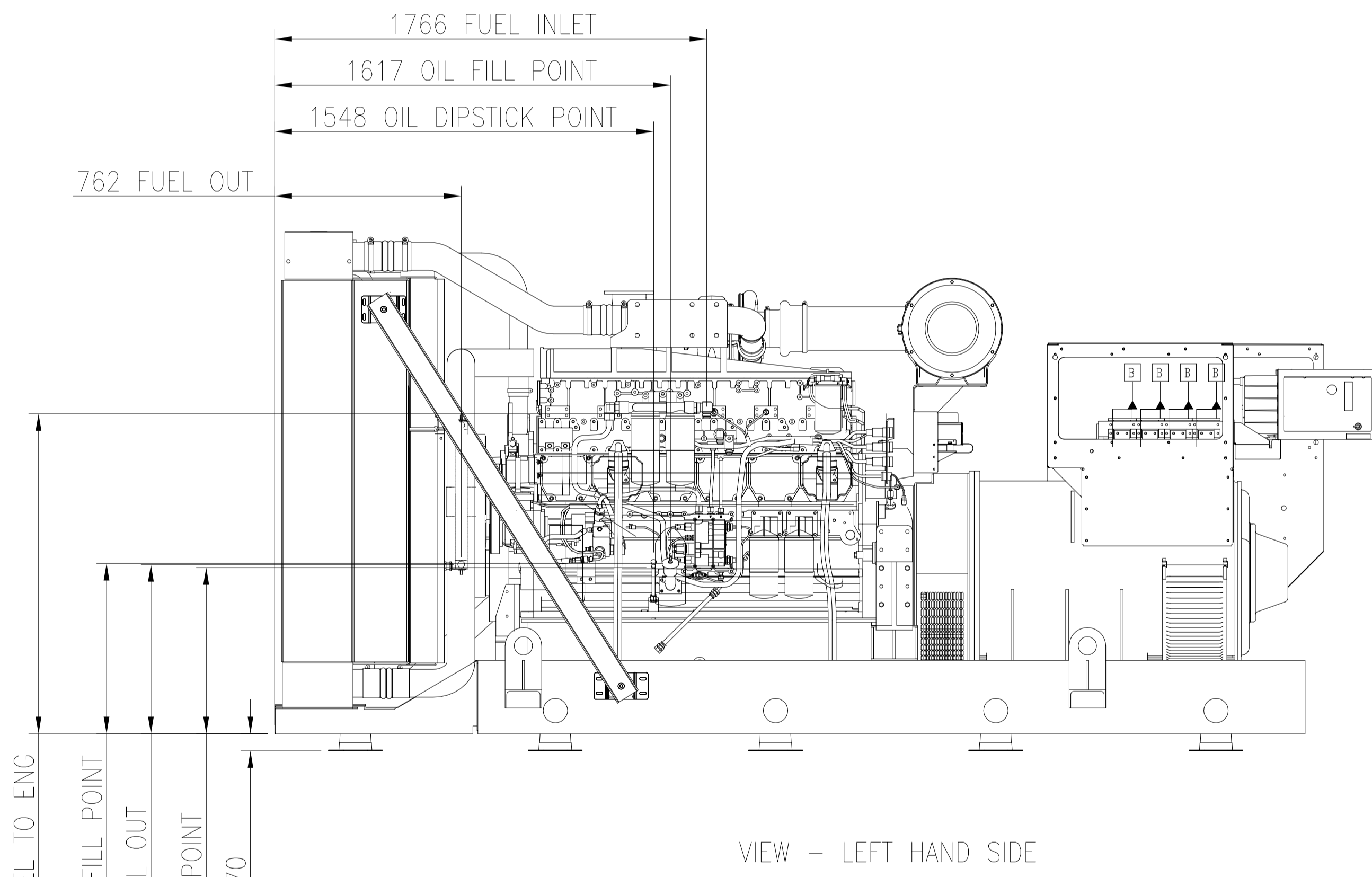
REL No.	LTR No.	REVISION	DRN	CHKD	APPROVED	DATE
ECO-105782	F 1	-	MS	YJ	S.HAWKINS	13MAY10



OPTION:- HEAVY DUTY AIR CLEANER

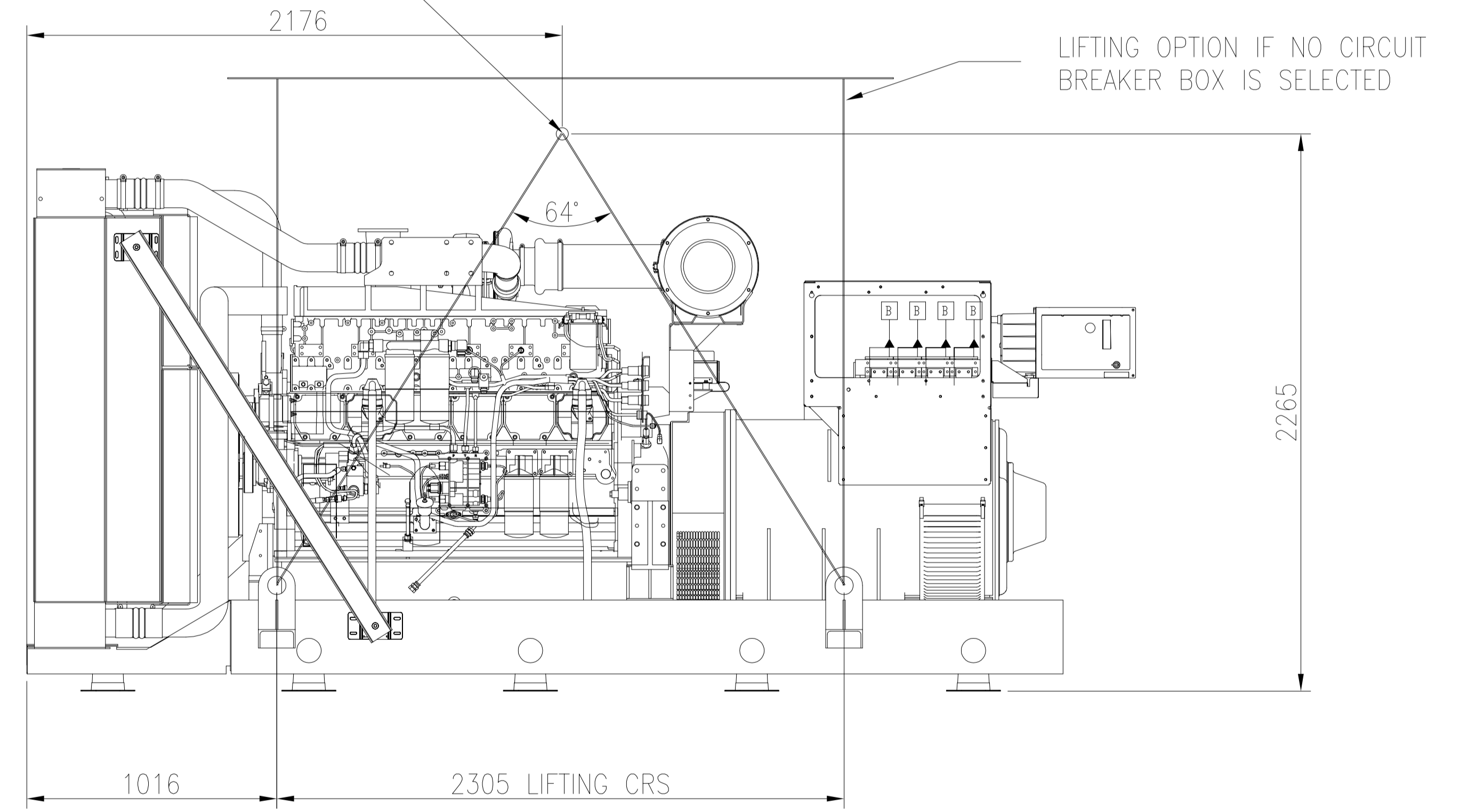


VIEW - PCC3201 CONTROLLER

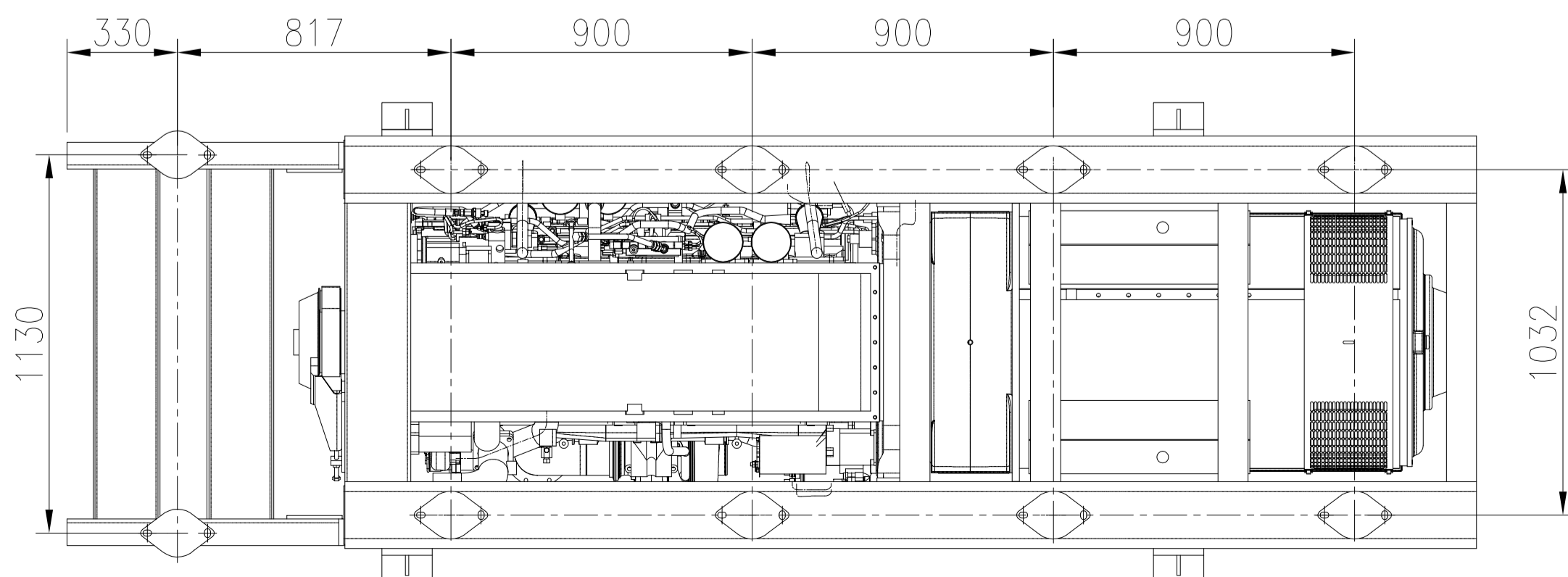


VIEW - LEFT HAND SIDE

LIFTING OPTION IF CIRCUIT BREAKER BOX IS SELECTED



VIEW - LIFTING OPTIONS



VIEW - BOTTOM AVM POSITIONS

UNLESS OTHERWISE SPECIFIED, ALL DIMENSIONS ARE IN MILLIMETRES		SIMILAR TO	DO NOT SCALE PRINT	DRAWN	J MATTHEWS	Cummins Power Generation	
DIM	X = ±3 XX = ±1 XXX = ±0.5	0.09-4.99 +0.15/-0.08 5.00-9.99 +0.20/-0.10 10.00-17.99 +0.25/-0.13 17.50-24.99 +0.30/-0.13	⊕ ⊖	CHECKED	C KNIGHT		GENSET OUTLINE
ANGULAR TOL:	±1.0°	SCALE:	1:16	APPROVED	M BARGENT	SITE CODE	
CONFIDENTIAL PROPERTY OF CUMMINS POWER GENERATION GROUP				DATE	10AUG05	PGK	
FOR INTERPRETATION OF DIMENSIONING AND TOLERANCING, SEE 05066				FIRST USED ON	C900D5	0500-4356	
						DWG SIZE	A1
						SHEET	2 of 2
						DWG REV	F

Part A008H656 F

Description	Legacy Name	External Regulations	Application Status	Release Phase Code	Security Classification	Alternates
OUTLINE,GENSET	0500-4356	None	Production & Service	Production	Proprietary	

Part Specifications :A008H656 F

Name	Description	Legacy Name
A030B356	SPECIFICATION,MATERIAL	CES10903
A013Y015	DRAWING,INSTALLATION	0500-4356