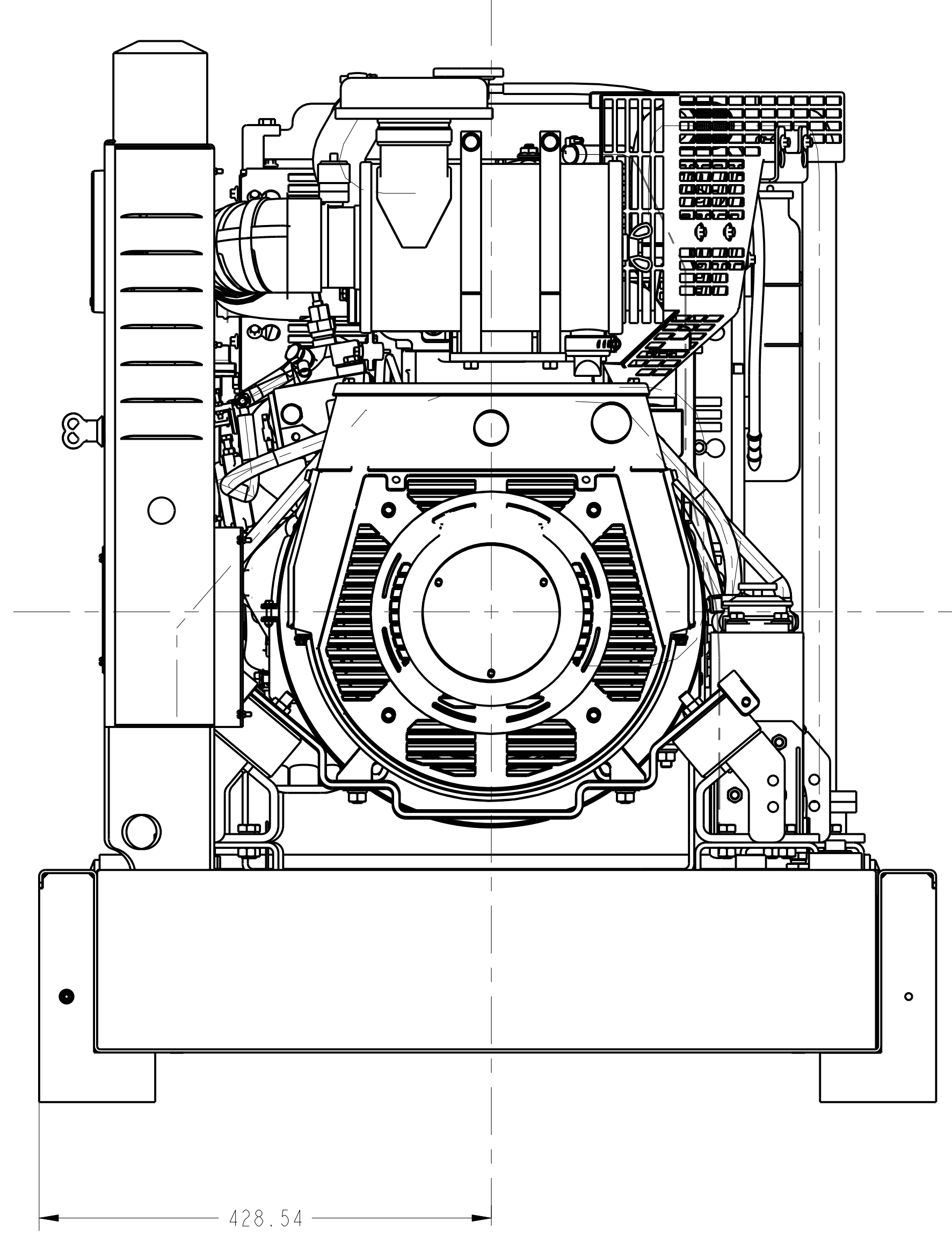
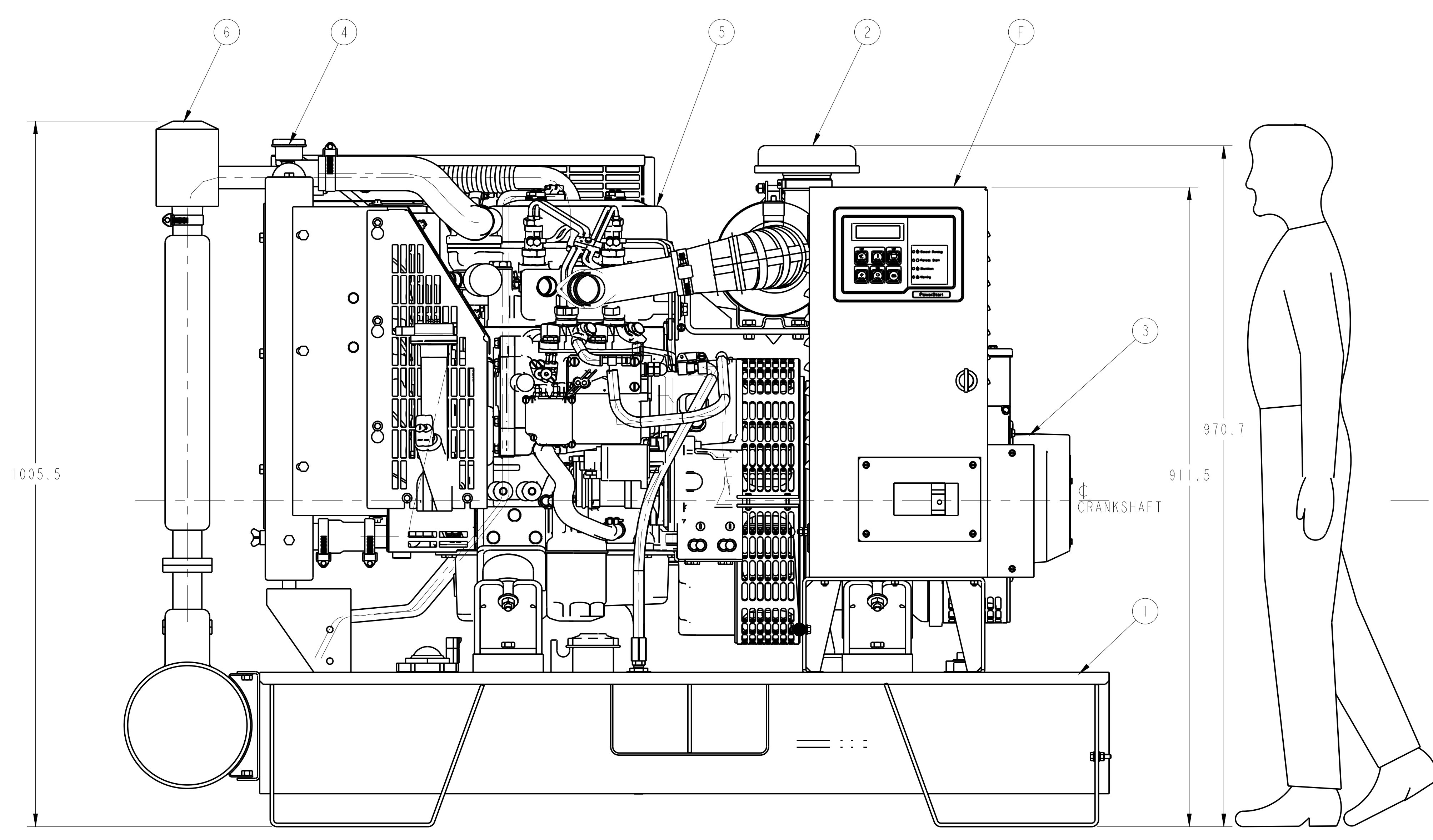
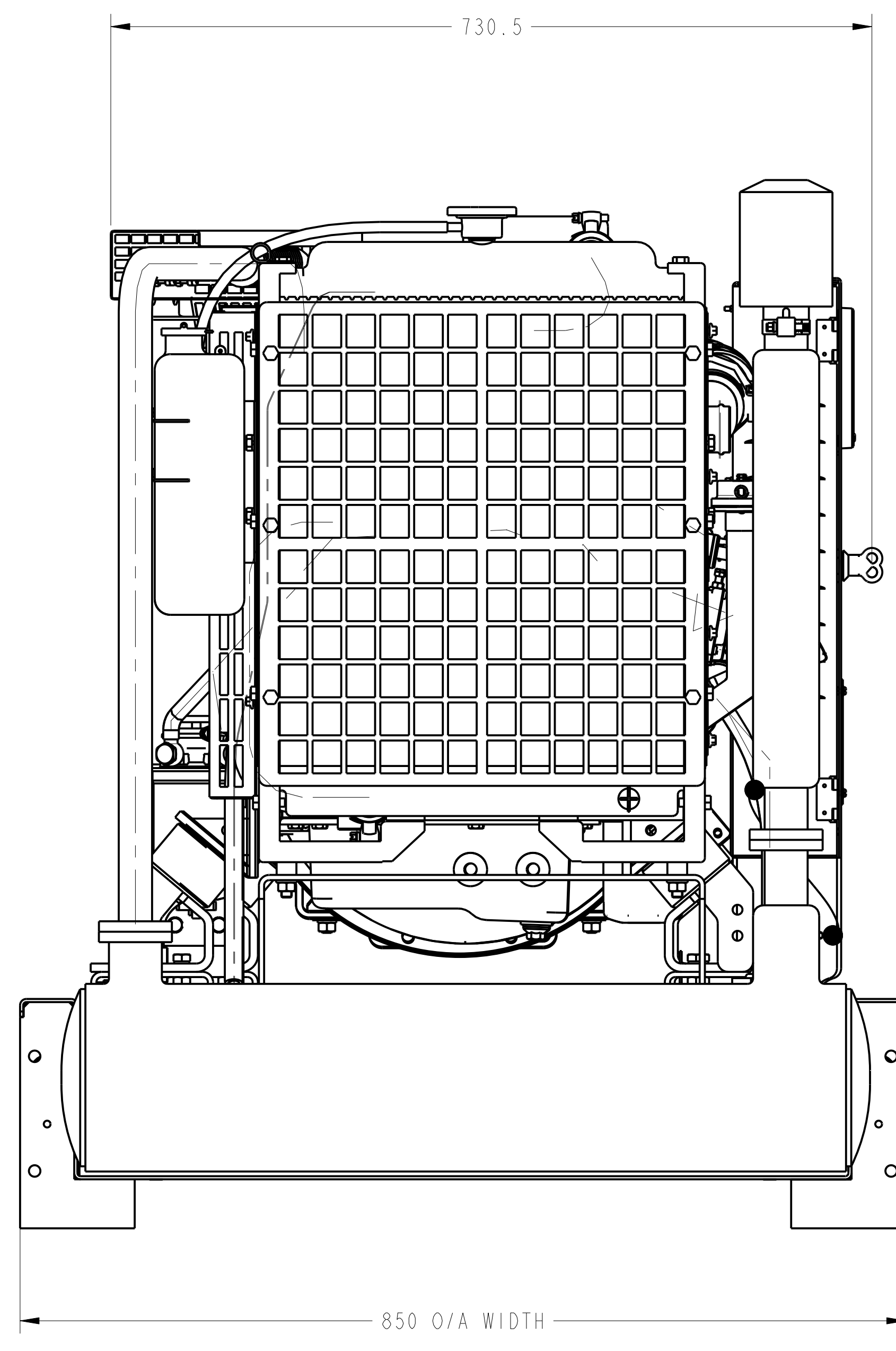
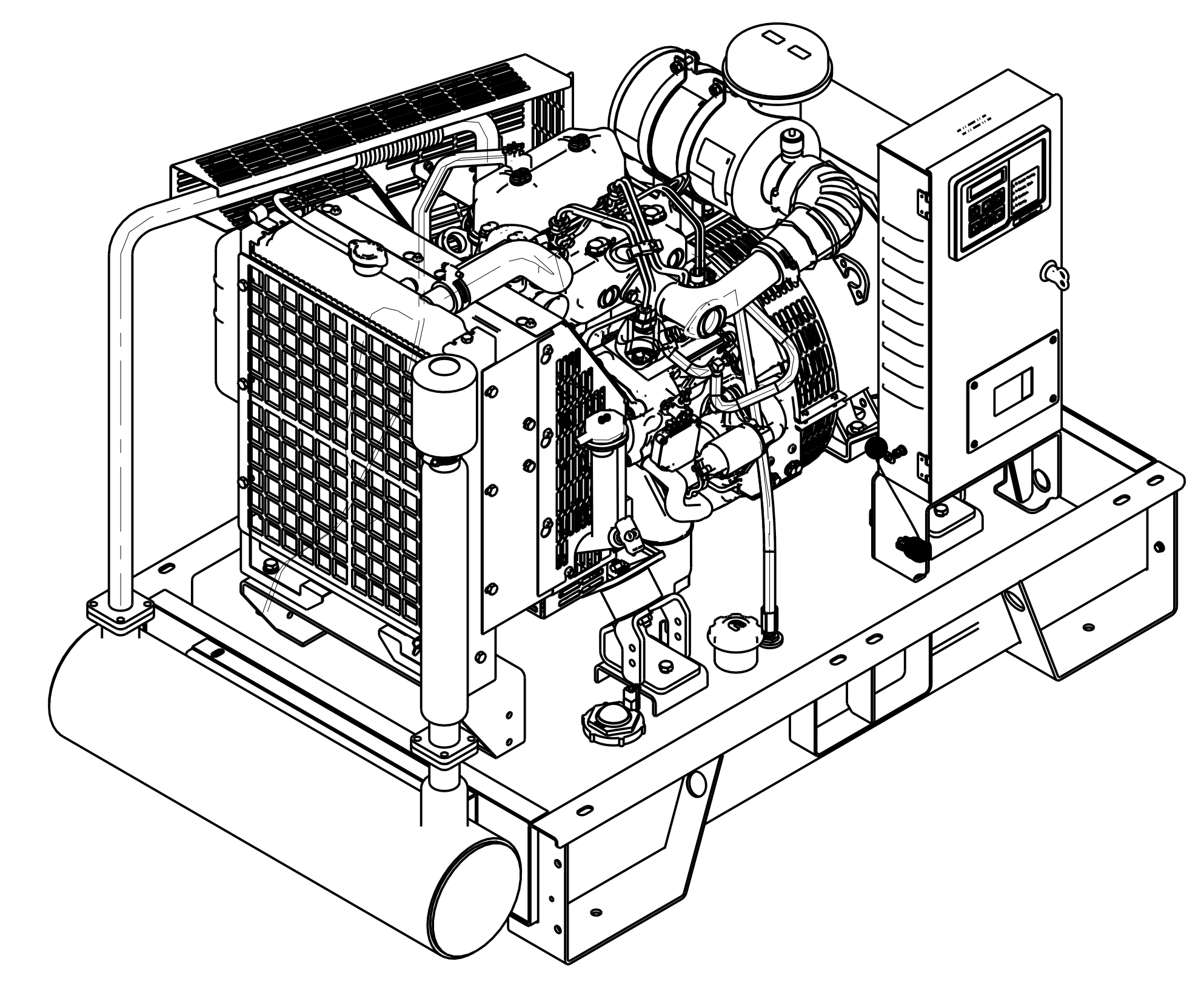
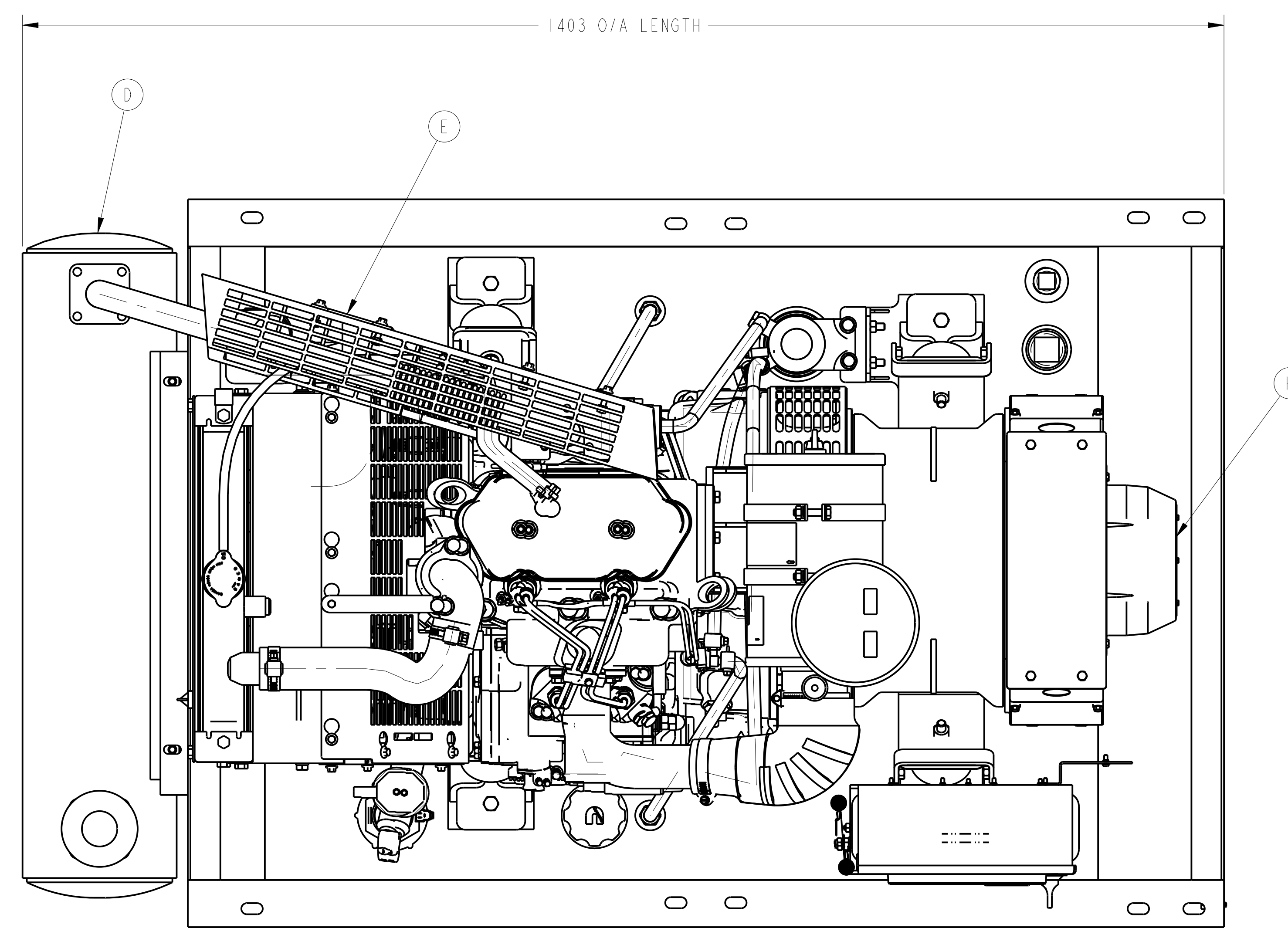


REL NO	LR	NO	REVISION	DRW	CAD	APVD	DATE
ER575087	A	1	PRODUCTION RELEASE	MS	Y	J	15MAY09
ER575087	B	2	ZONE DT, ADD NOTES	PS	Y	J	18NOV09
ECO-110009	C	-	-	PS	Y	J	28APR10

NOTES:
1. LIFT ONLY BY FORK LIFT, FORKS UNDER BEDFRAME.



AVAILABLE OPTION (NOT SHOWN UNLESS STATED)	
ITEM	DESCRIPTION
A	SOLENOID COIL
B	ACTUATOR
C	BATTERY
D	MUFFLER (SHOWN)
E	EXHAUST GUARD (SHOWN)
F	CONTROL PANEL PCC500 (SHOWN)
G	COOLANT HEATER
H	EBS (SHOWN)

QTY	ITEM	PART NO	DESCRIPTION OR MATERIAL
1	6	---	EXHAUST INSTL
1	5	---	ENGINE (X1.3)
1	4	---	RADIATOR INSTL
1	3	---	GENERATOR INSTL
1	2	---	AIR CLEANER
1	1	---	SKID ASSY

UNLESS OTHERWISE SPECIFIED, ALL DIMENSIONS ARE IN MILLIMETERS.		SHEET NO 0500_4997		DRW M SHE J WALKAR		CUMMINS POWER GENERATION	
DO NOT SCALE PRINT		CAD Y JOSHI		CUMMINS POWER GENERATION		GENSET OUTLINE	
ANG TOL: ± 1.0°		SCALE: 1/5		DATE 15MAY09		SITE CODE	
PROPERTY OF CUMMINS POWER GENERATION GROUP		FOR INTERPRETATION OF DIMENSIONS AND TOLERANCES, SEE DRAWING SPECIFICATIONS		FIRST USED ON SUB12KVA		CUMMINS POWER GENERATION GROUP	
				SHEET 2 of 2		REV C	